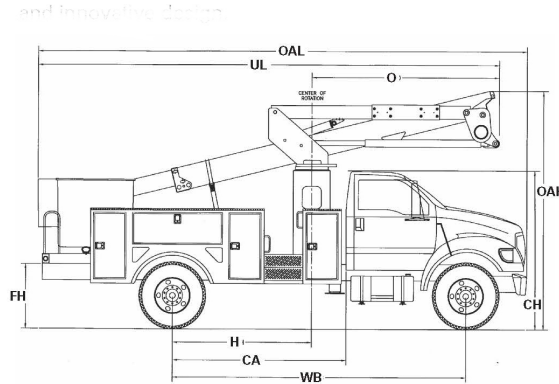
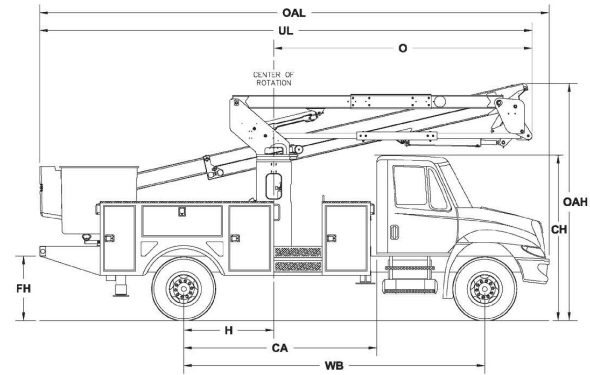


AERIAL DEVICE

Terex® Hi-Ranger Aerial Devices are known throughout the industry. They come with a long history featuring quality and innovative design.



TL37 - TL50



TL55 - TL60

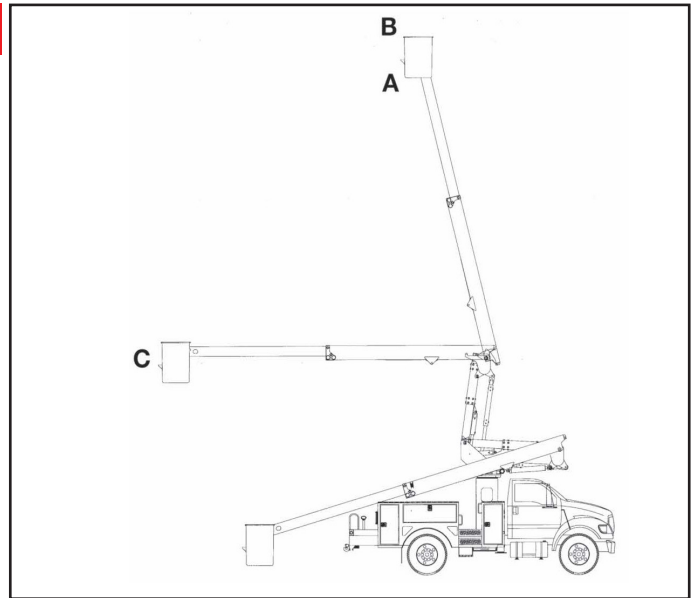
Measurements	TL37		TL41		TL45		TL50		TL55		TL60	
	TL37P	TL37M	TL41P	TL41M	TL45P	TL45M	TL50P	TL50M	TL55P	TL55M	TL60P	TL60M
Typical Frame Height (FH)	32 in. (81.3 cm)		32 in. (81.3 cm)		40 in. (101.6 cm)		40 in. (101.6 cm)		40 in. (101.6 cm)		40 in. (101.6 cm)	
Typical Cab Height (CH)	104 in. (264 cm)		104 in. (264 cm)		104 in. (264 cm)		104 in. (264 cm)		104 in. (264 cm)		104 in. (264 cm)	
Offset (O)	72.5 in. (184.2 cm)		84.5 in. (214.6 cm)		114.6 in. (291.1 cm)		114.6 in. (291.1 cm)		161 in. (408.9 cm)		200 in. (508 cm)	
Overall Height (OAH)	10' 7" (3.2 m)		10' 7" (3.2 m)		11' 3" (3.4 m)		11' 3" (3.4 m)		11' 3" (3.4 m)		11' 3" (3.4 m)	
Overall Length (OAL)	23' 5" (7.1 m)	23' 1" (7.1 m)	23' 8" (7.2 m)	23' 4" (7.1 m)	20' 5" (6.2 m)	20' 9" (6.3 m)	25' 4" (7.7 m)	24' 10" (7.6 m)	26' 5" (8.1 m)	25' 11" (7.6 m)	27' 3" (8.3 m)	26' 9" (8.2 m)
Unit Length (UL)	17'9" (5.4 m)		19' 0" (5.8 m)		19' 0" (5.8 m)		23' 10" (7.3 m)		25' 6" (8.1 m)	25' 0" (7.6 m)	27' 3" (8.3 m)	26' 9" (8.2 m)
Center of Rotation (H)	62.5 in. (158.8 cm)		62.5 in. (158.8 cm)		62.5 in. (158.8 cm)		82.25 in. (208.9 cm)		56 in. (142.2 cm)		37 in. (94 cm)	
Cab to Axle (CA)	84 in. (213.4 cm)		84 in. (213.4 cm)		84 in. (213.4 cm)		102 in. (259.1 cm)		120 in. (304.8 cm)		120 in. (304.8 cm)	
Wheel Base (WB)	158 in. (401.3 cm)		158 in. (401.3 cm)		158 in. (401.3 cm)		176 in. (447 cm)		187 in. (475 cm)		187 in. (475 cm)	
Front Axle (FA)	6,500 lb. (2,948 kg)		8,000 lb. (3,629 kg)		10,000 lb. (4,536 kg)		10,000 lb. (4,536 kg)	12,000 lb. (5,443 kg)	14,000 lb. (6,350 kg)		14,000 lb. (6,350 kg)	
Rear Axle (RA)	13,500 lb. (6,124 kg)		13,000 lb. (5,897 kg)		15,500 lb. (7,081 kg)	17,000 lb. (7,711 kg)	15,500 lb. (7,081 kg)	17,000 lb. (7,711 kg)	19,000 lb. (8,613 kg)		19,000 lb. (8,613 kg)	
Gross Vehicle Weight Rating (GVWR)	17,500 lb. (7,938 kg)	19,500 lb. (8,845 kg)	21,000 lb. (9,525 kg)		25,500 lb. (11,567 kg)		25,500 lb. (11,567 kg)	29,000 lb. (13,154 kg)	33,000 lb. (14,969 kg)		33,000 lb. (14,969 kg)	
Recommended Weight for Stability	15,000 lb. (7,081 kg)		16,250 lb. (7,371 kg)		20,000 lb. (9,072 kg)		21,000 lb. (9,525 kg)		21,500 lb. (9,752 kg)		23,000 lb. (10,433 kg)	
Frame Section Modulus	10.5 in ³		10.5 in ³		15.9 in ³ / 17.2 in ³		15.9 in ³ / 17.2 in ³		15.9 in ³ / 17.2 in ³		15.9 in ³ / 17.2 in ³	
Frame Yield Strength	36,000 psi				110,000 psi / 50,000 psi				110,000 psi / 50,000 psi			
Frame RBM	378,000 in-lbs				900,000 in-lbs				900,000 in-lbs			

TL SERIES

Hi-Ranger Telescopic Material Handling Aerial Device

STANDARD EQUIPMENT

- Side-Mount 24" x 48" x 42" Two-Person Platform
- Platform Capacity of up to 600 lb (272.2 kg)
- Platform Rotator
- 4-Function Single Stick
- Safety Harness with Attached Lanyard
- Continuous Unrestricted Worm Gear Rotation
- Category "C" Rating Per ANSI A92.2
- Rectangular, Bi-Axial Epoxy Resin, Filament Wound Fiberglass Booms
- Individual Lever Lower Controls
- Hydraulic Platform Leveling System
- Steel Main Boom
- Fiberglass Second Section Boom
- Fiberglass Lift Boom Insert
- Engine Stop/Start
- Two Speed Throttle (TL60 Demand Throttle)
- Full Pressure, Open-Center Hydraulic System
- 20 Gallon Internal Hydraulic Oil Reservoir
- Padded Lower Boom Rest (TL 60 Only)
- Outrigger Interlock
- Moving Outrigger Alarm
- Truck Level Indicator
- Terex White Powdercoat



CAPACITIES & DIMENSIONAL DATA (Based on a 40 inch Frame Height)

Model	TL37	TL41	TL45	TL50	TL55	TL60
Bottom of Platform (A)	38.0 ft (11.6m)	42.0 ft (12.8 m)	44.8 ft (13.6 m)	49.5 ft (151 m)	55.1 ft (16.8 m)	60.1 ft (18.3 cm)
Working Height (B)	43.0 ft (13.1 m)	47.0 ft (14.3 m)	49.8 ft (15.2 m)	54.5 ft (16.6 m)	60.1 ft (18.3 m)	65.1 ft (19.8 m)
Horizontal Reach at 87° (C)	28.6 ft (8.7 m)	31.1 ft (9.5 m)	31.1 ft (9.5 m)	36.0 ft (11.0 m)	N/A	N/A
Horizontal Reach at 82° (C)	28.3 ft (8.6 m)	30.8 ft (9.4 m)	30.4 ft (9.3 m)	35.1 ft (10.7 m)	N/A	N/A
Horizontal Reach at 93° (C)	29.6 ft (9.0 m)	32.2ft (9.8 m)	32.3 ft (9.9 m)	37.0 ft (11.2 m)	38.3 ft (11.7m)	40.1 ft (12.2 m)
Lower Boom Articulation	0 to 87°	0 to 87°	0 to 87°	0 to 87°	0 to 93°	0 to 93°
Upper Boom Travel	-40 to 76°	-40 to 76°	-40 to 76°	-40 to 76°	-35 to 85°	-35 to 85°
Upper Boom Extension	100 in. (254 cm)	116 in. (295 cm)	116 in. (295 cm)	145 in. (368.3 cm)	140 in. (355.6 cm)	140 in. (355.6 cm)
Platform Capacity	400 lbs. (182.5 kg)	400 lbs. (182.5 kg)	400 lbs. (182.5 kg)	600 lbs. (272.2 kg)	600 lbs. (272.2kg)	600 lbs. (272.2kg)

The TL37-50 above are based on a 40" frame and 58" pedestal

OPTIONAL EQUIPMENT

- Various Side and End Mount Platforms
- Various Platform Covers
- Liners With or Without Steps
- 24" Platform Lifter
- Jib Options
 - Side Mount
 - Hydraulic Extend / Hydraulic Articulating, Underload Jib/Winch, 1500 lbs (680.4 kg)
 - Simplified Compact Jib/Winch 1500 lbs (680.4 kg)
 - End Mount
 - Manual Extend/Hydraulic Articulating 1000 lbs (453.6 kg)
 - Cobra-Style Jib
 - Single Wire / 46 Kv Insulated Single Line Lifter / Multi-Phase Attachments
- Optional 82° or 93° of Lower Boom Articulation TL37 -TL50
- Automatic Boom Latch
- Hydraulic Lifts: 10 ft Transverse or In-line
- Hydraulic Tool Outlets
- Auxiliary Power / Let Down System
- Demand Throttle (Std on TL60)
- Boom Overstow Protection
- Boom Stow Interlock
- Boom Storage Warning Light
- Outrigger Sag Light
- Various Types of Outriggers
- Truck Grounding Cable & Clamp
- Hybrid Enable
- HyPower™ Hybrid System by Terex®