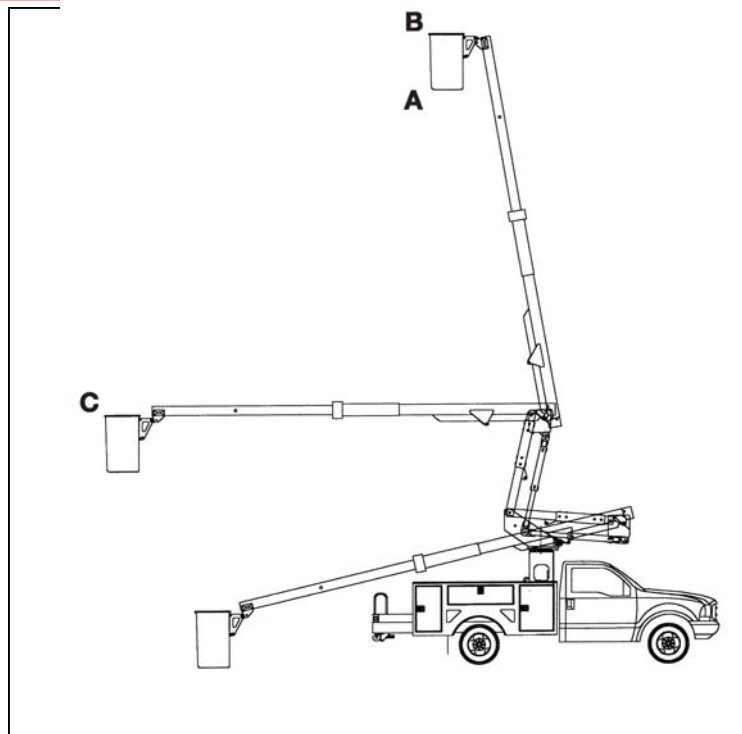




# LT SERIES Hi-Ranger Telescopic Aerial Device

## STANDARD EQUIPMENT

- End Mounted 24 x 30 x 42" One Person Platform
- Platform Capacity, See Chart Below.
- 4-Function Single Stick
- Safety Harness With Attached Lanyard
- Continuous Unrestricted Worm Gear Rotation
- Rectangular, Bi-Axial Epoxy Resin, Filament Wound Fiberglass Booms
- Full Pressure Controls on Side of Platform
- Individual Lever Lower Controls
- Platform Tilt Control At Upper and Lower Controls
- Hydraulic Tool Outlets
- Engine Stop / Start
- Hydraulic Platform Leveling
- Steel Main Boom with Fiberglass Insert
- Fiberglass Second Section Boom
- Fiberglass Lift Boom Insert
- Full Pressure, Open-Center Hydraulic System
- 30 Litre Pedetal Mounted External Tank
- Padded Boom Rest
- Hydraulic Platform Rotator
- Truck Level Indicator
- Finish Painted



## CAPACITIES AND DIMENSIONAL DATA (Based on a 1016mm Frame Height)

	Bottom of Platform Height (A)	Working Height (B)	Horizontal Reach (C)	Boom Travel		Platform Capacity
				Lower Boom	Upper Boom	
LT40 without outriggers	40.6 ft (12.4 m)	45.6 ft (13.8 m)	26.6 ft (8.1 m)	0 to 72°	-14 to 80°	400 lbs. (181.0kg)
LT40 without outriggers	40.6ft (12.4 m)	45.6 ft (13.8 m)	27.9 ft (8.5 m)	0 to 81°	-14 to 80°	350 lbs. (159.0kg)
LT40 with outriggers	40.6 ft (12.4 m)	45.6 ft (13.8 m)	29.4 ft (9.0 m)	0 to 90°	-14 to 80°	400 lbs. (181.0kg)

## OPTIONAL EQUIPMENT

- Various Platform Covers
- Liners With or Without Steps
- Auxiliary Power
- Auxiliary Let Down System
- 20 Gallon Remote Oil Reservoir
- Boom Overstow Protection
- Boom Stow Interlock
- Outrigger Sag Light
- Various Types of Outriggers
  - Moving Outrigger Alarm
  - Boom Interlock
- Truck Grounding Cable & Clamp
- Hybrid Enable
- HyPower™ Hybrid System by Terex®
- Automatic Boom Latch

Effective Date: September 2018. Product specifications and prices are subject to change without notice or obligation. The photographs and/or drawings in this document are for illustrative purposes only. Refer to the appropriate Operator's Manual for instructions on the proper use of this equipment. Failure to follow the appropriate Operator's Manual when using our equipment or to otherwise act irresponsibly may result in serious injury or death. The only warranty applicable to our equipment is the standard written warranty applicable to the particular product and sale and Terex makes no other warranty, express or implied. Products and services listed may be trademarks, service marks or trade-names of Terex Corporation and/or its subsidiaries in the USA and other countries. All rights are reserved. Terex® is a registered trademark of Terex Corporation in the USA and many other countries. Copyright 2018 Terex Corporation.