



# TEREX

## LT Series



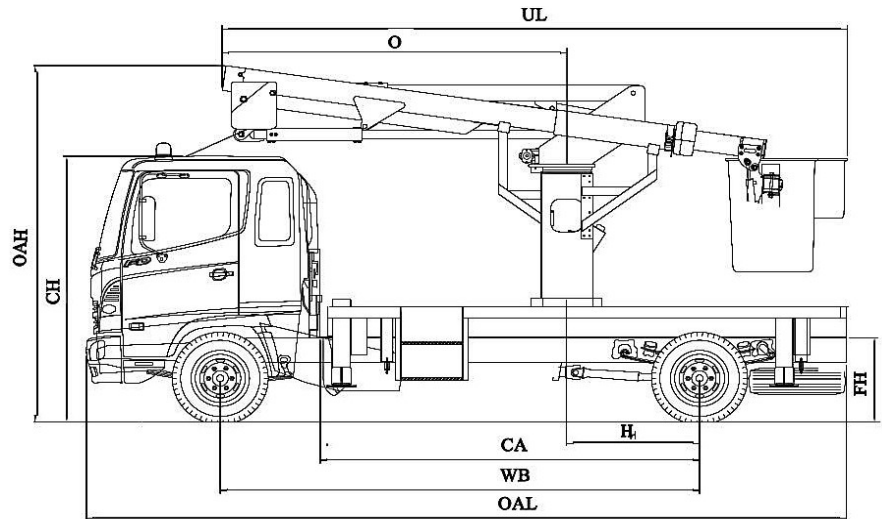


# TEREX®

## LT SERIES Hi-Ranger Telescopic Aerial Device

### AERIAL DEVICES

Terex® Hi-Ranger Aerial Devices are known throughout the industry. They come with a long history featuring quality and innovative design.



### MEASUREMENTS

#### LT40

	Hino
Typical Frame Height (FH)	0.77 m (30 in.)
Typical Cab Height (CH)	2.46 m (97 in.)
Offset (O)	3.05 m (120 in.)
Overall Height (OAH)	3.30 m (10' 10")
Overall Length (OAL)	6.34 m (20' 9")
Unit Length (UL)	5.54 m (18' 2")
Center of Rotation (H)	1.18 m (46 in.)
Cab to Axle (CA)	3.36 m (132 in.)
Wheel Base (WB)	4.25 m (167 in.)
Minimum Chassis Requirement (Subject to Final Configuration)	11,000 kg (24,250 lb.)



## TEREX®

500 Oakwood Drive  
PO BOX 1150  
Watertown, SD 57201-6150  
USA

Phone: (605) 882-4000  
Facsimile: (605) 882-1842  
www.terexutilities.com  
E-mail: utilities.info@terex.com

Distributed By:



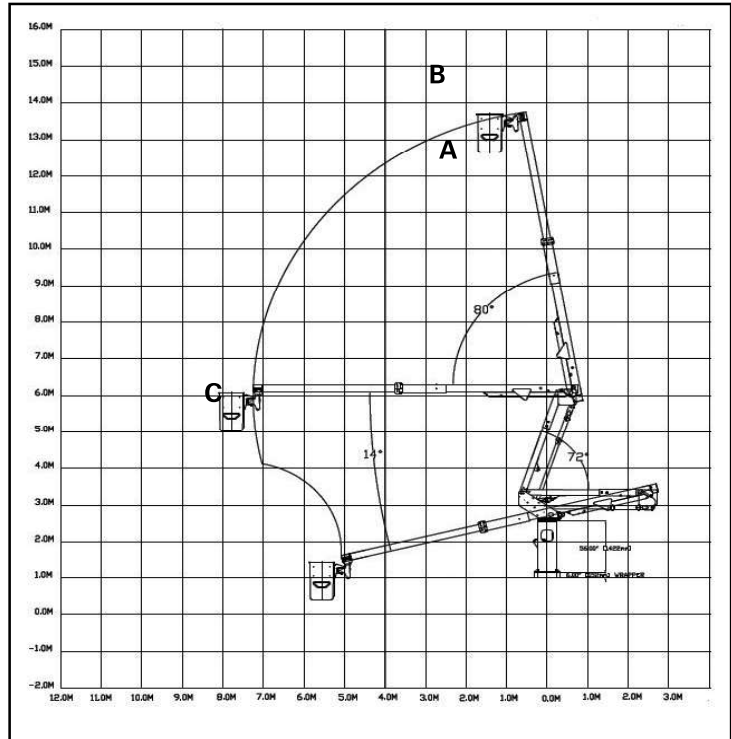
13 Wheeler Crescent  
Currumbin Qld 4223  
07 55984322  
info@liftindustries.com.au  
www.liftindustries.com.au

# LT SERIES

## Hi-Ranger Telescopic Aerial Device

### STANDARD EQUIPMENT

- End Mounted 610mm x 760mm x 1070mm (24" x 30" x 42") One-Person Platform
- Platform Capacity 136kg (300lbs.)
- 4 Function Single Stick
- Continuous Unrestricted Worm Gear Rotation
- Insulation Rating 66kV
- Rectangular, Bi-Axial Epoxy Resin, Filament Wound Fiberglass Boom
- Full Pressure Controls on Side of Platform
- Individual Lever Lower Controls
- Platform Tilt Control at Upper and Lower Controls
- Hydraulic Tool Outlets
- Engine Stop/Start
- Boom Overstow Protection w/Stow Interlock
- 180° Hydraulic Platform Leveling
- Steel Main Boom with Fiberglass Insert
- Fiberglass Second Section Boom
- Fiberglass Lift Boom Insert
- Full Pressure, Open-Center Hydraulic System
- 76 Litre Hydraulic Tank Integral with Pedestal
- Padded Boom Rest
- Hydraulic Platform Rotator
- Truck Level Indicator
- Finish Painted
- Outrigger non-stowed Light
- Outrigger Interlock
- Platform Cover
- Safety Harness with Attached Lanyard
- Liners With Steps
- Two Speed Throttle Control
- Auxiliary Power: Allows the operation of any function for a time period



### CAPACITIES & DIMENSIONAL DATA (Based on a 80 cm Frame Height)

	A	B	C			
	Bottom Of Platform Height	Working Height	Horizontal Reach	Lower Boom Articulation	Upper Boom Articulation	Platform Capacity
LT40 with outriggers	12.4m (40.6 ft)	14.4m (46.6 ft)	9.0m (29.4ft)	0 to 90°	-14 to 80°	181.0kg (400lbs.)

### OPTIONAL EQUIPMENT

- Auxiliary Let Down System
- Various Types of Outriggers
- Moving Outrigger Alarm
- Hybrid Enable
- HyPower™ Hybrid System by Terex®
- Automatic Boom Latch
- Axle Spring Lockout or Torsion bars

Effective Date: August 2014. Product specifications and prices are subject to change without notice or obligation. The photographs and/or drawings in this document are for illustrative purposes only. Refer to the appropriate Operator's Manual for instructions on the proper use of this equipment. Failure to follow the appropriate Operator's Manual when using our equipment or to otherwise act irresponsibly may result in serious injury or death. The only warranty applicable to our equipment is the standard written warranty applicable to the particular product and sale and Terex makes no other warranty, express or implied. Products and services listed may be trademarks, service marks or trade-names of Terex Corporation and/or its subsidiaries in the USA and other countries. All rights are reserved. Terex® is a registered trademark of Terex Corporation in the USA and many other countries. Copyright 2014 Terex Corporation.