



TEREX

Commander 5000



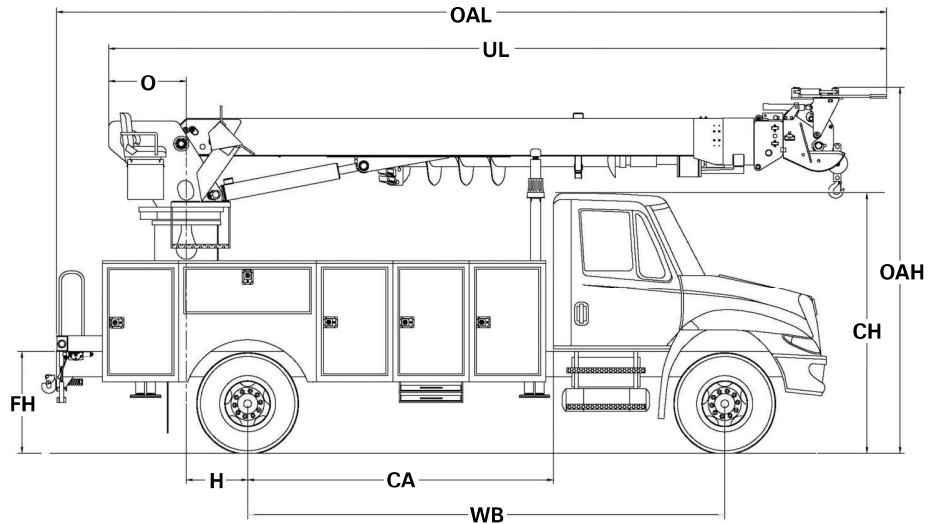


TEREX®

COMMANDER 5000 SERIES

DIGGER DERRICK

Terex® Telelect Digger Derricks are known throughout the industry. They come with a long history featuring quality and innovative design.



Measurements	Commander 5045			Commander 5048			Commander 5050			Commander 5052			Commander 5055		
	ORA	BC	CMT	ORA	BC	CMT	ORA	BC	CMT	ORA	BC	CMT	ORA	BC	CMT
<i>(Minimum Recommendations)</i>															
Typical Frame Height (FH)	40 in. (101.6 cm)			40 in. (101.6 cm)			40 in. (101.6 cm)			40 in. (101.6 cm)			40 in. (101.6 cm)		
Typical Cab Height (CH)	112 in. (284.5 cm)			112 in. (284.5 cm)			112 in. (284.5 cm)			112 in. (284.5 cm)			112 in. (284.5 cm)		
Offset (O)	30.5 in. (77.5 cm)			30.5 in. (77.5 cm)			30.5 in. (77.5 cm)			30.5 in. (77.5 cm)			30.5 in. (77.5 cm)		
Overall Height (OAH)	12' 0" (3.7 m)	12' 0" (3.7 m)	11' 2" (3.4 m)	12' 0" (3.7 m)	12' 0" (3.7 m)	11' 2" (3.4 m)	12' 0" (3.7 m)	12' 0" (3.7 m)	11' 2" (3.4 m)	12' 0" (3.7 m)	12' 0" (3.7 m)	11' 2" (3.4 m)	12' 0" (3.7 m)	12' 0" (3.7 m)	11' 2" (3.4 m)
Overall Length (OAL)	24' 8" (7.5 m)	32' 4" (9.8 m)	23' 4" (7.1 m)	26' 8" (8.1 m)	34' 4" (10.5 m)	25' 4" (7.7 m)	26' 8" (8.1 m)	34' 4" (10.5 m)	25' 4" (7.7 m)	26' 8" (8.1 m)	34' 4" (10.5 m)	25' 4" (7.7 m)	29' 8" (9.0 m)	37' 4" (11.4 m)	28' 4" (8.6 m)
Unit Length (UL)	23' 6" (7.2 m)			25' 6" (7.8 m)			25' 6" (7.8 m)			25' 6" (7.8 m)			28' 6" (8.7 m)		
Center of Rotation (H)	24 in. (61 cm)	111.5 in. (283.2 cm)	61 in. (155 cm)	24 in. (61 cm)	111.5 in. (283.2 cm)	61 in. (155 cm)	24 in. (61 cm)	111.5 in. (283.2 cm)	61 in. (155 cm)	24 in. (61 cm)	111.5 in. (283.2 cm)	61 in. (155 cm)	24 in. (61 cm)	111.5 in. (283.2 cm)	61 in. (155 cm)
Cab to Axle (CA)	120 in. (304.8 cm)	138 in. (350 cm)	102 in. (259 cm)	120 in. (304.8 cm)	138 in. (350 cm)	102 in. (259 cm)	120 in. (304.8 cm)	138 in. (350 cm)	102 in. (259 cm)	120 in. (304.8 cm)	138 in. (350 cm)	102 in. (259 cm)	120 in. (304.8 cm)	150 in. (381 cm)	102 in. (259 cm)
Wheel Base (WB)	192 in. (487.7 cm)	210 in. (533.4 cm)	174 in. (442 cm)	192 in. (487.7 cm)	210 in. (533.4 cm)	174 in. (442 cm)	192 in. (487.7 cm)	210 in. (533.4 cm)	174 in. (442 cm)	192 in. (487.7 cm)	210 in. (533.4 cm)	174 in. (442 cm)	192 in. (487.7 cm)	222 in. (563.9 cm)	174 in. (442 cm)
Gross Vehicle Weight Rating (GVWR)	33,000 lb. (14,969 kg)	33,000 lb. (14,969 kg)	46,000 lb. (20,865 kg)	33,000 lb. (14,969 kg)	33,000 lb. (14,969 kg)	46,000 lb. (20,865 kg)	33,000 lb. (14,969 kg)	33,000 lb. (14,969 kg)	46,000 lb. (20,865 kg)	33,000 lb. (14,969 kg)	33,000 lb. (14,969 kg)	46,000 lb. (20,865 kg)	33,000 lb. (14,969 kg)	33,000 lb. (14,969 kg)	46,000 lb. (20,865 kg)
Recommend Weight For Stability	14,000kg			14,000kg			14,000kg			14,000kg			14,000kg		



TEREX®

500 Oakwood Drive
PO BOX 1150
Watertown, SD 57201-6150
USA

Phone: (605) 882-4000
Facsimile: (605) 882-1842
www.terexutilities.com
E-mail: utilities.info@terex.com

Distributed By:

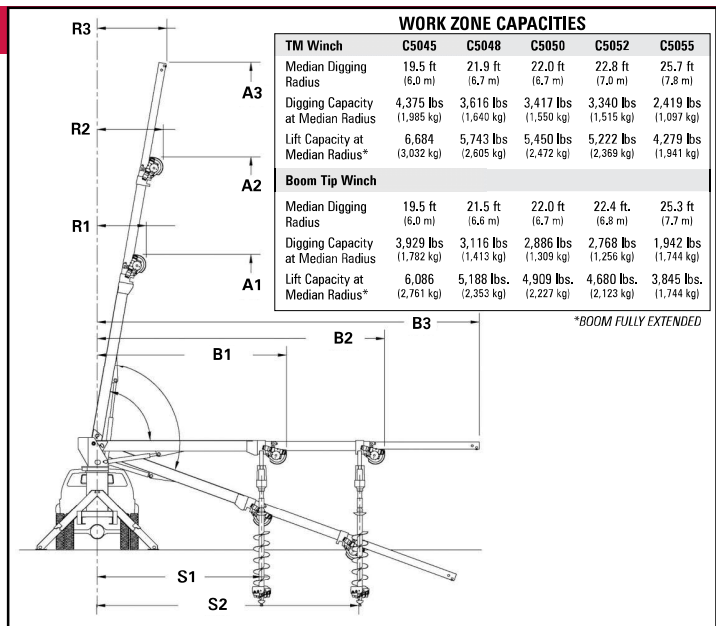


13 Wheeler Crescent
Currumbin Qld 4223
07 55984322
info@liftindustries.com.au
www.liftindustries.com.au

COMMANDER 5000 SERIES

STANDARD EQUIPMENT

- 100 Degrees of Boom Travel (+80 to -20)
- Dual Lift Cylinders
- Self-Aligning Swivel Ball Bushings
- Rectangular, Bi-Axial Epoxy Resin, Filament Wound Fiberglass Booms
- Box Fabricated Steel Lower Boom and Intermediate
- Hydraulic Boom Extension Intermediate & Upper
- Full Pressure Hydraulic Controls
- Full Pressure, Open-Center Hydraulic System
- 50 Gallon Hydraulic Oil Reservoir
- Custom Made Zoned Load Chart
- Continuous Unrestricted Rotation
- 15,000 lb. Turntable Winch
- Meets or Exceeds ANSI A10.31
- Planetary Parking Brake Rotation
- Right-Hand Command Post Controls
- Engine Stop/Start at Lower Controls
- Boom Angle Indicator
- Outrigger Interlock
- Moving Outrigger Alarm
- Truck Level Indicator



CAPACITIES & DIMENSIONAL DATA (Based on a 40 Inch Frame Height)

Model	Maximum Capacity	Capacity @ 10 ft Radius	Load Radius			Sheave Height			Horizontal Reach			Digging Radius	
			R1	R2	R3	A1	A2	A3	B1	B2	B3	S1	S2
CMDR 5045													
TM Winch	30,000 lb (13,608 kg)	16,050 lb (7,295 kg)	3.1 ft (0.9 m)	4.6 ft (1.4 m)	6.1 ft (1.86 m)	28.9 ft (8.81 m)	37.2 ft (11.34 m)	45.6 ft (13.9 m)	19.1 ft (5.82 m)	27.6 ft (8.41 m)	36.1 ft (11.0 m)	16.1 ft (4.91 m)	24.6 ft (7.5 m)
PG Winch	30,000 lb (13,608 kg)	14,600 lb (6,620 kg)	3.7 ft (1.13 m)	5.1 ft (1.55 m)	6.0 ft (1.83 m)	27.9 ft (8.5 m)	36.2 ft (11.03 m)	45.0 ft (13.72 m)	18.2 ft (5.55 m)	26.7 ft (8.14 m)	35.5 ft (10.82 m)	16.1 ft (4.91 m)	24.6 ft (7.5 m)
CMDR 5048													
TM Winch	30,000 lb (13,608 kg)	15,350 lb (6,963 kg)	3.4 ft (1.0 m)	5.0 ft (1.5 m)	6.6 ft (2.0 m)	30.8 ft (9.4 m)	39.7 ft (12.1 m)	48.6 ft (14.8 m)	21.1 ft (6.4 m)	30.1 ft (9.2 m)	39.1 ft (11.9 m)	18.1 ft (5.5 m)	27.1 ft (8.2 m)
Boom Tip Winch	27,860 lb (12,637 kg)	13,700 lb (6,214 kg)	4.0 ft (1.2 m)	5.6 ft (1.7 m)	6.5 ft (2.0 m)	29.9 ft (9.1 m)	38.7 ft (11.8 m)	48.0 ft (14.6 m)	20.2 ft (6.2 m)	29.2 ft (8.9 m)	38.5 ft (11.7 m)	18.1 ft (5.5 m)	27.1 ft (8.2 m)
CMDR 5050													
TM Winch	30,000 lb (13,608 kg)	15,300 lb (6,940 kg)	3.4 ft (1.0 m)	5.2 ft (1.6 m)	7.0 ft (2.1 m)	30.8 ft (9.4 m)	40.7 ft (12.4 m)	50.0 ft (15.4 m)	21.1 ft (6.4 m)	31.1 ft (9.5 m)	41.1 ft (12.5 m)	18.1 ft (5.5 m)	28.1 ft (8.5 m)
Boom Tip Winch	27,820 lb (12,619 kg)	13,650 lb (6,192 kg)	4.0 ft (1.2 m)	5.7 ft (1.7 m)	6.9 ft (2.1 m)	29.9 ft (9.1 m)	39.7 ft (12.1 m)	49.9 ft (15.2 m)	20.2 ft (6.2 m)	30.2 ft (9.2 m)	40.5 ft (12.3 m)	18.1 ft (5.5 m)	28.1 ft (8.5 m)
CMDR 5052													
TM Winch	30,000 lb (13,608 kg)	15,260 lb (6,922 kg)	3.4 ft (1.0 m)	5.3 ft (1.6 m)	7.3 ft (2.2 m)	30.8 ft (9.4 m)	41.7 ft (12.7 m)	52.5 ft (16.0 m)	21.1 ft (6.4 m)	32.1 ft (9.8 m)	43.1 ft (13.1 m)	18.1 ft (5.5 m)	29.1 ft (8.8 m)
Boom Tip Winch	27,790 lb (12,606 kg)	13,600 lb (6,169 kg)	4.0 ft (1.2 m)	5.9 ft (1.8 m)	7.2 ft (2.2 m)	29.9 ft (9.1 m)	40.7 ft (12.4 m)	51.9 ft (15.8 m)	20.2 ft (6.2 m)	31.2 ft (9.5 m)	42.5 ft (13.0 m)	18.1 ft (5.5 m)	29.1 ft (8.8 m)
CMDR 5055													
TM Winch	30,000 lb (13,608 kg)	14,400 lb (6,532 kg)	3.9 ft (1.2 m)	5.9 ft (1.8 m)	7.9 ft (2.4 m)	33.8 ft (10.3 m)	44.6 ft (13.6 m)	55.5 ft (16.9 m)	24.1 ft (7.3 m)	35.1 ft (10.7 m)	46.1 ft (14.1 m)	21.1 ft (6.4 m)	32.1 ft (9.8 m)
Boom Tip Winch	24,300 lb (11,022 kg)	12,850 lb (5,829 kg)	4.5 ft (1.4 m)	6.4 ft (2.0 m)	7.8 ft (2.4 m)	32.8 ft (10.0 m)	43.6 ft (13.3 m)	54.9 ft (16.7 m)	23.2 ft (7.1 m)	34.2 ft (10.4 m)	45.5 ft (13.9 m)	21.1 ft (6.4 m)	32.1 ft (9.8 m)

OPTIONAL EQUIPMENT

- Various Digger/Augers
 - Auger Storage Left Side (Typical)
 - Auger Storage Right Side (Subject to Configuration)
- Fiberglass Personnel Platform
 - Liners With or Without Steps
- Handle Rack Controls
- Various Types of Controls
- Radio Remote Controls
- Full Pressure Upper Controls
- Single Stick "T" Controls
- Engine Stop/Start and Throttle Advance at Top Controls
- Engine Stop/Start and Throttle Advance at Lower Controls
- Various Types of Throttle Advance at Lower Controls
- Hydraulic Overload Protection (HOP)
- Boom Tip Winch
- Material Handling Jibs
- Transferable Pole Flanges
- Various Sizes of Pole Guides
- Pole Guide Interlock
- Planetary Slip Brake Rotation
- Hydraulic Tool Outlets
- Pole Puller
- Multi-Part Line Components
- Corner Mount Derricks
- Boom Storage Warning Light
- Outrigger Sag Light
- Various Types of Outriggers
- Truck Grounding Cable & Clamp

Effective Date: September 2014. Product specifications and prices are subject to change without notice or obligation. The photographs and/or drawings in this document are for illustrative purposes only. Refer to the appropriate Operator's Manual for instructions on the proper use of this equipment. Failure to follow the appropriate Operator's Manual when using our equipment or to otherwise act irresponsibly may result in serious injury or death. The only warranty applicable to our equipment is the standard written warranty applicable to the particular product and sale and Terex makes no other warranty, express or implied. Products and services listed may be trademarks, service marks or trade-names of Terex Corporation and/or its subsidiaries in the USA and other countries. All rights are reserved. Terex™ is a registered trademark of Terex Corporation in the USA and many other countries. Copyright 2014 Terex Corporation.